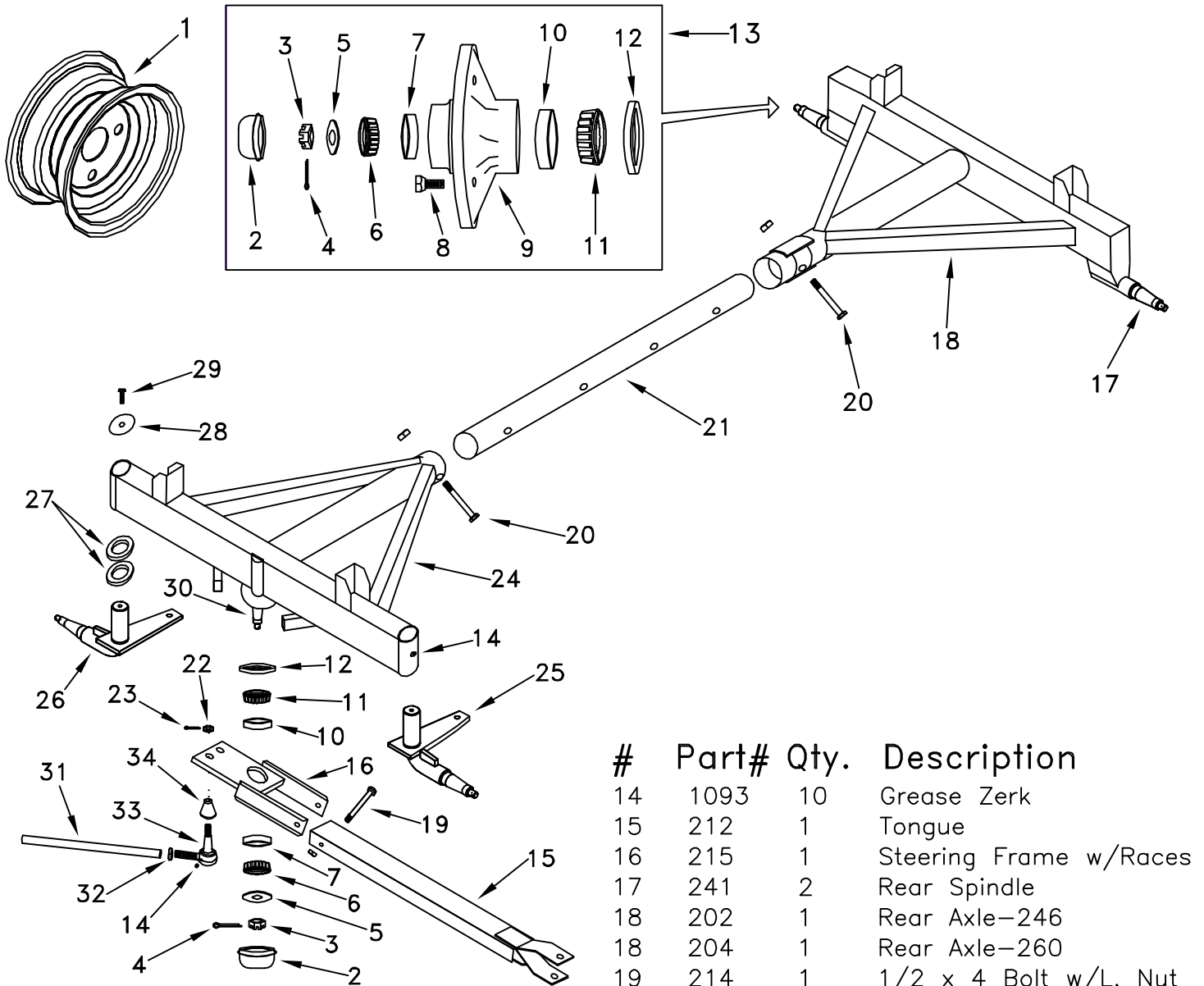


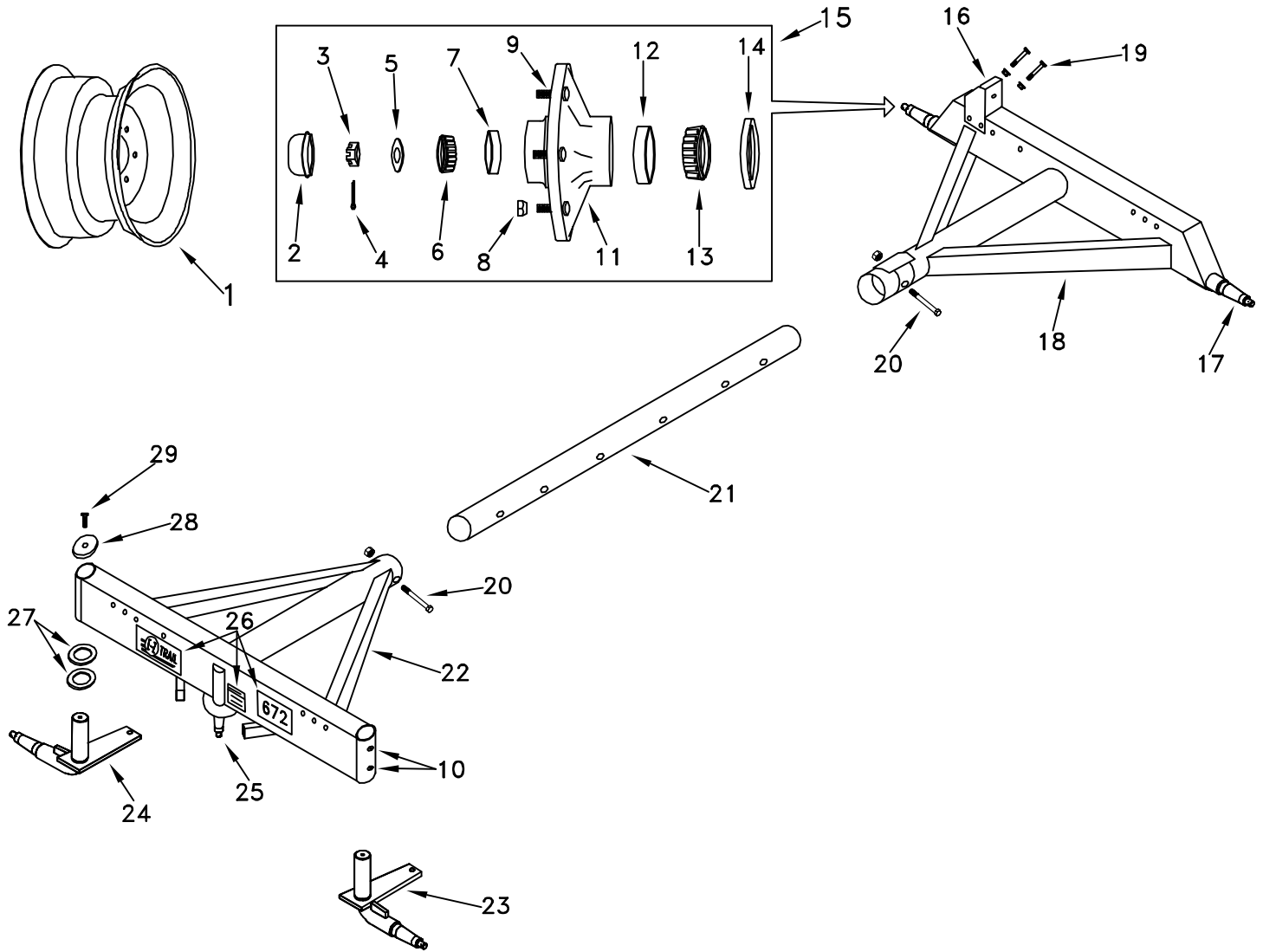
# E-Z Trail 246 & 260 Gears



#	Part#	Qty.	Description
1	251	4	Wheel, 8 x 3-3/4
1	252	4	Wheel, 12 x 3 opt.
2	226	5	Hub Cap
3	641	5	3/4-16 Slotted Nut
4	1045	5	Cotter Pin
5	640	5	Spindle Washer
6	244	5	Outer Bearing
7	245	5	Outer Race
8	243	16	Hub Bolt
9	242	4	Hub w/Races
10	218	5	Inner Race
11	217	5	Inner Bearing
12	216	5	Grease Seal
13	249	4	Hub Ass'y

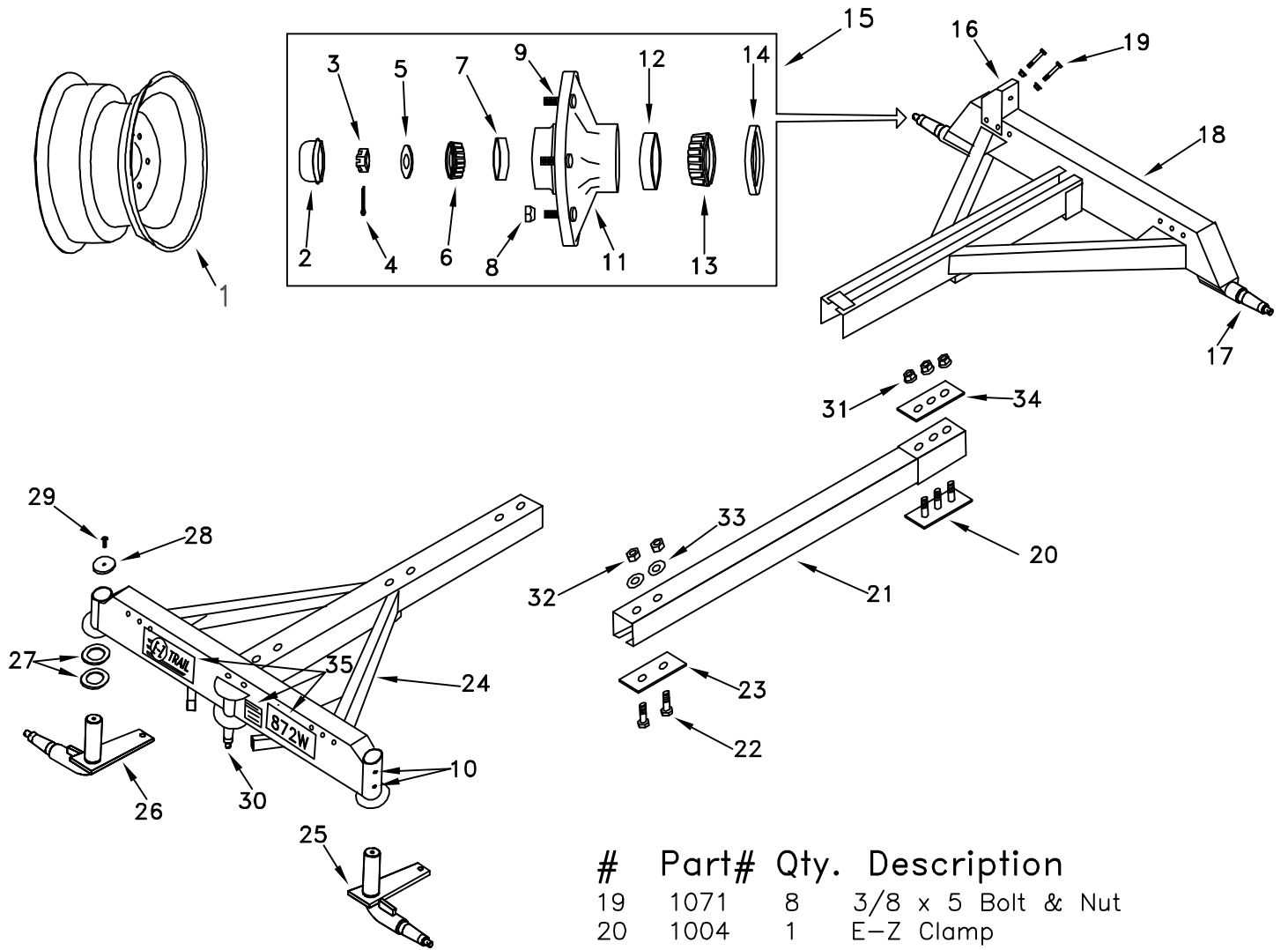
#	Part#	Qty.	Description
14	1093	10	Grease Zerk
15	212	1	Tongue
16	215	1	Steering Frame w/Races
17	241	2	Rear Spindle
18	202	1	Rear Axle-246
18	204	1	Rear Axle-260
19	214	1	1/2 x 4 Bolt w/L. Nut
20	210	2	3/8 x 3 Bolt w/L. Nut
21	203	1	Standard Reach
22	233	4	1/2-20 Slotted Nut
23	1046	4	Cotter Pin
24	201	1	Front Axle-246
24	205	1	Front Axle-260
25	228	1	Left Front Spindle
26	227	1	Right Front Spindle
27	229	4	Machinery Bushing
28	230	2	Spindle Cap
29	1091	2	3/8 x 1 Bolt
30	279	1	Steering Spindle Ass'y
31	240	2	Tie Rod-246
31	239	2	Tie Rod-260
32	234	4	Jam Nut
33	238	4	Tie Rod End Ass'y
34	236	4	Rubber Cover

# E-Z Trail 666 & 672 Gears



#	Part#	Qty.	Description	#	Part#	Qty.	Description
1	868	4	Wheel, 15 x 6	16	615	4	Stake Pocket
1	650	4	Wheel, 15 x 5, opt.	17	628	2	Rear Spindle
2	642	4	Hub Cap	18	602	1	Rear Axle-666
3	641	4	3/4-16 Slotted Nut	18	604	1	Rear Axle-672
4	1045	4	Cotter Pin	19	616	8	3/8 x 4 Bolt & Nut
5	640	4	Spindle Washer	20	610	2	1/2 x 3-1/2 Bolt & Lk. Nut
6	639	4	Outer Bearing	21	608	1	80" Standard Reach
7	638	4	Outer Race	22	601	1	Front Axle-666
8	865	24	Wheel Nut	22	603	1	Front Axle-672
9	864	24	Wheel Stud	23	621	1	Left Front Spindle
10	1093	8	Grease Zerk	24	620	1	Right Front Spindle
11	635	4	Hub w/Races	25	679	1	Steering Spindle Ass'y
12	1084	4	Inner Race	26	678	1	Decal Set
13	1085	4	Inner Bearing	27	622	4	Machinery Bushing
14	632	4	Grease Seal	28	623	2	Bent Spindle Cap
15	643	4	Hub Ass'y	29	1091	2	3/8 x 1 Bolt

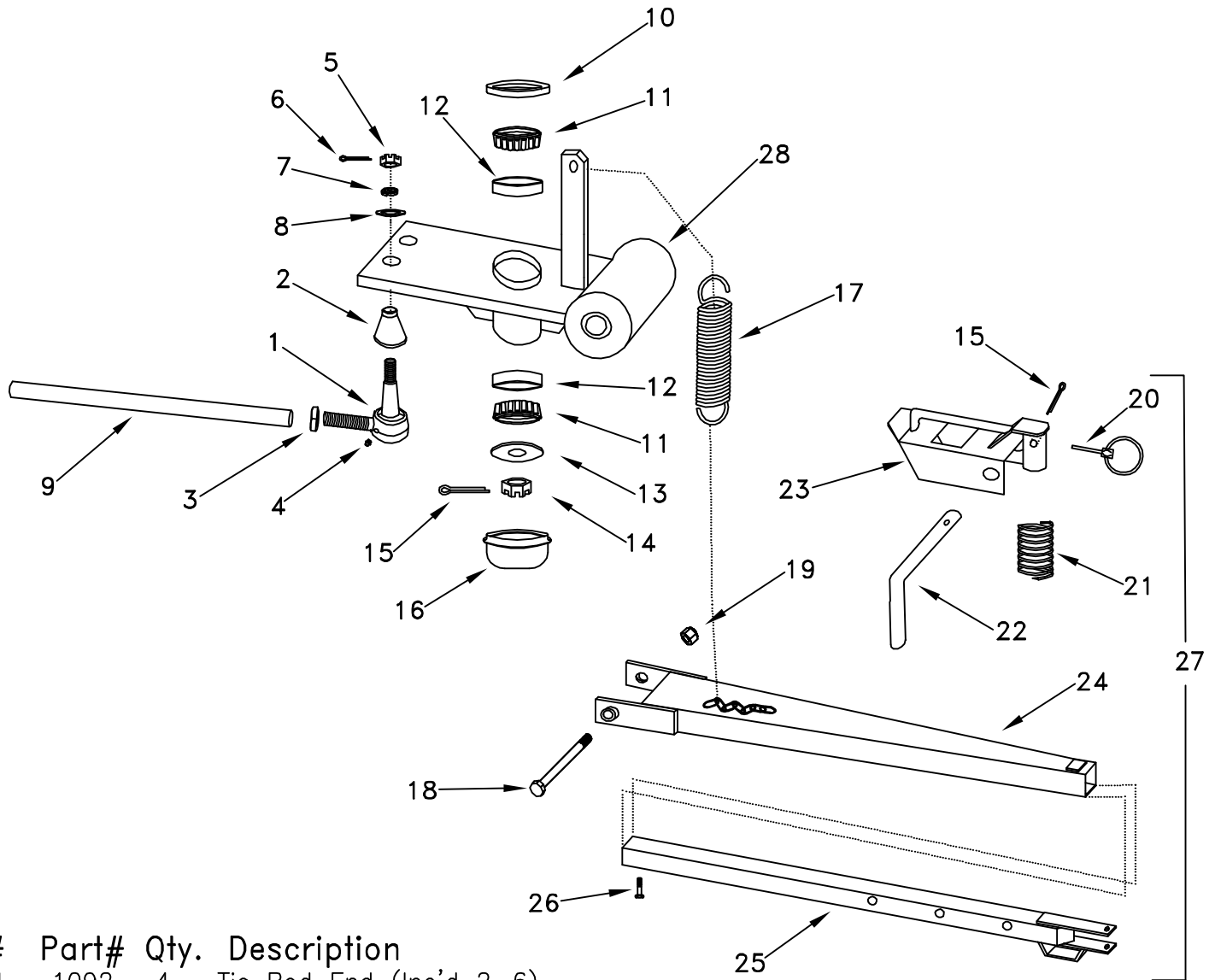
# E-Z Trail 860W, 872W & 890W Gears



#	Part#	Qty.	Description
1	1095	4	Wheel, 15 x 8
2	1044	4	Hub Cap
3	1087	4	3/4-16 Slotted Nut
4	1045	4	Cotter Pin
5	1086	4	Spindle Washer
6	1085	4	Outer Bearing
7	1084	4	Outer Race
8	865	24	Wheel Nut
9	864	24	Wheel Stud
10	1093	8	Grease Zerk
11	835	4	Hub w/Races
12	834	4	Inner Race
13	833	4	Inner Bearing
14	1081	4	Grease Seal
15	874	4	Hub Ass'y
16	1070	4	Stake Pocket
17	823	2	Rear Spindle
18	802	1	Rear Axle-860W
18	821	1	Rear Axle-872W
18	804	1	Rear Axle-890W
(Specify Round or Square Reach)			

#	Part#	Qty.	Description
19	1071	8	3/8 x 5 Bolt & Nut
20	1004	1	E-Z Clamp
21	1039	1	Square Reach
	1003	1	Old Style Round Reach
22	1006	2	3/4 x 1-3/4 Bolt
23	1005	1	Spacer Plate
24	801	1	Front Axle-860W
24	820	1	Front Axle-872W
24	803	1	Front Axle-890W
(Specify Round or Square Reach)			
25	811	1	Left Front Spindle
26	810	1	Right Front Spindle
27	815	4	Machinery Bushing
28	816	2	Bent Spindle Cap
29	1091	2	3/8 x 1 Bolt
30	1079	1	Steering Spindle Ass'y, New Style
	1080K	1	Steering Update Kit: Steering Frame, Spindle, Stops, Bearings, Cap & Seal to convert old style gear to new steering.
31	1007	3	3/4-16 Flange Nut
32	1012	2	3/4-10 Lock Nut
33	1015	2	3/4 Flat Washer
34	1024	1	Upper Clamp Plate
35	878	1	Decal Set

# Steering Ass'y for 6, 8, 10, & 12 Ton Gears

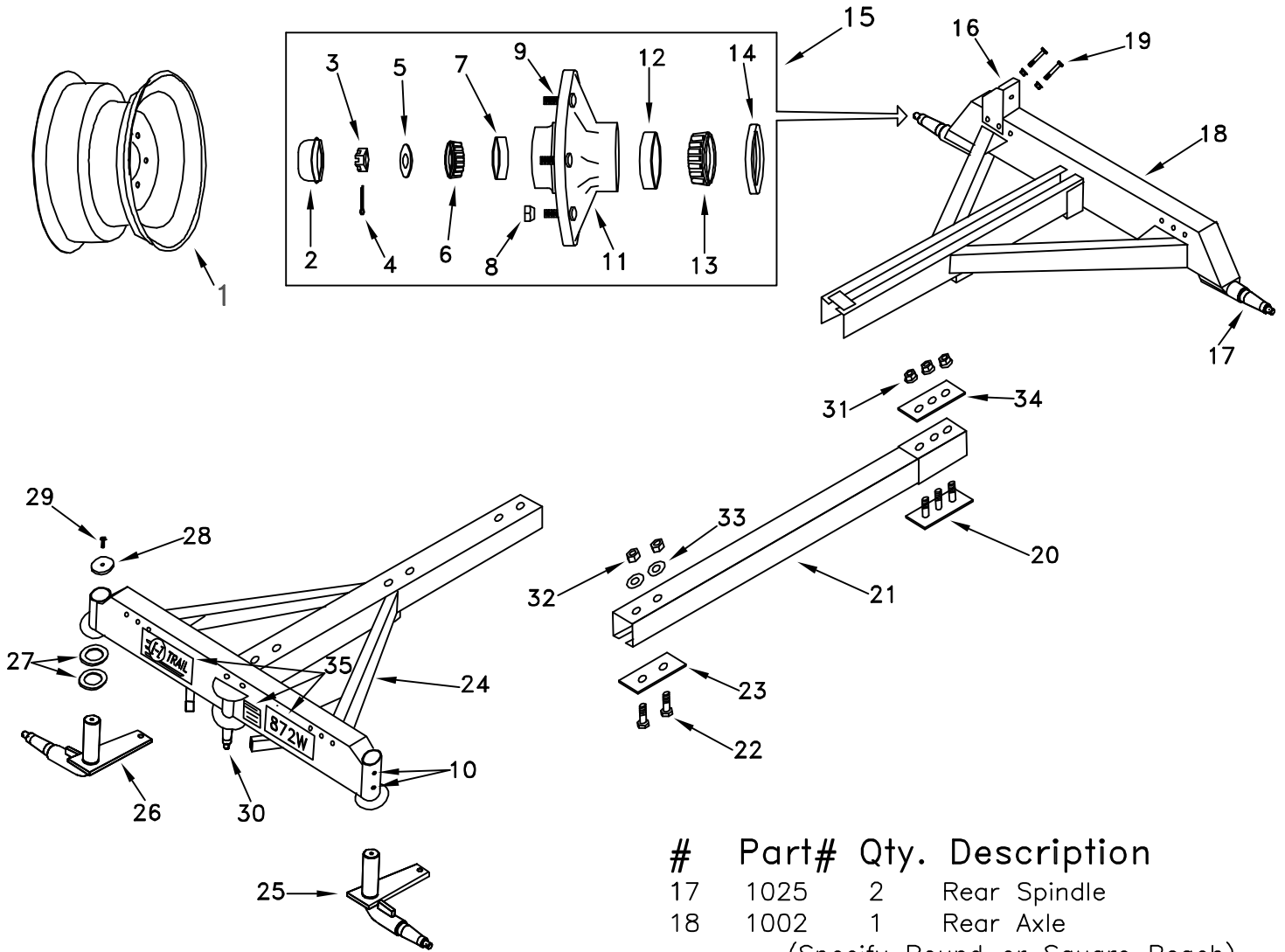


#	Part#	Qty.	Description
1	1092	4	Tie Rod End (Inc'd 2-6)
2	1043	4	Rubber Cover
3	1088	4	3/4-16 Jam Nut
4	1093	6	Grease Zerk
5	1042	4	9/16-18 Slotted Nut
6	1046	4	Cotter Pin
7	1048	4	5/8" Lock Washer
8	640	4	5/8" Flat Washer
9	1027	2	Tie Rod 672,872W,1074,1274
9	826	2	Tie Rod, Model 860W
9	827	2	Tie Rod, Model 890W
9	629	2	Tie Rod, Model 666
10	1081	1	Seal
11	1082	2	Steering Frame Bearing
12	1083	2	Steering Frame Race
13	1089	1	Washer
14	1087	1	3/4-16 Slotted Nut
15	1045	2	Cotter Pin
16	1098	1	Steering Frame Cap
17	1013	1	Spring

#	Part#	Qty.	Description
18	1014	1	Tongue Bolt
19	1020	1	7/8-9 Lock Nut
20	1017	1	Lock Pin
21	1010	1	Spring
22	1011	1	Latch Pin
23	1016	1	Latch
24	1061	1	Tongue Outer (Older styles not available)
25	1062	1	Tongue Inner (Older styles not available)
26	1562	1	3/4-10 x 1 Bolt
27	1063	1	E-Z Hitch Ass'y
28	1080	1	Steering Frame w/Races

\*There are 2 old style steering frames:  
tapered sides with same size bearings,  
& tapered sides with small lower bearing

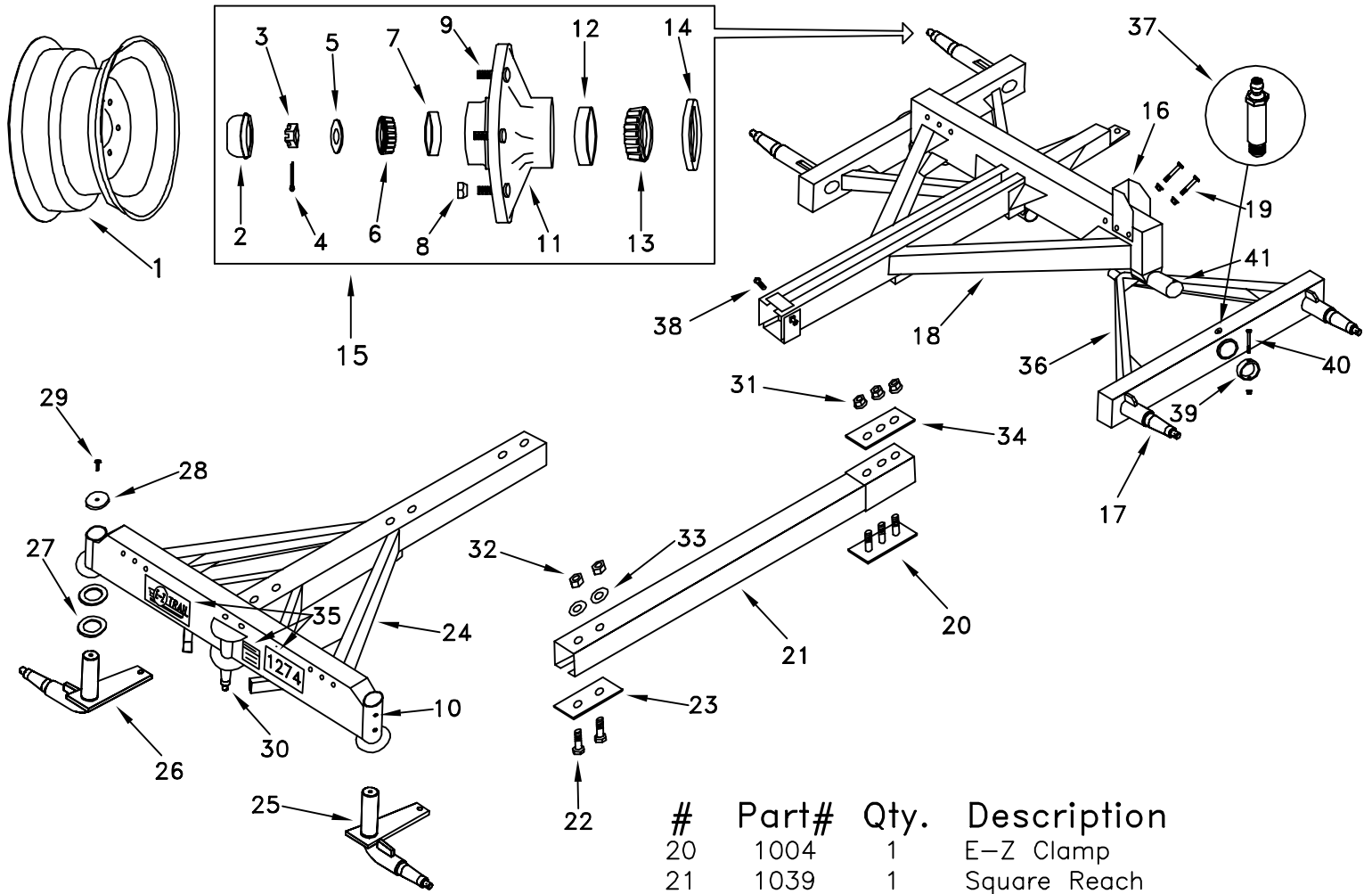
# E-Z Trail 1074 Gear



#	Part#	Qty.	Description
1	1096	4	Wheel, 15 x 10
1	1099	4	Wheel, 16 x 10, opt.
2	1044	4	Hub Cap
3	1087	4	3/4-16 Slotted Nut
4	1045	4	Cotter Pin
5	1086	4	Spindle Washer
6	1085	4	Outer Bearing
7	1084	4	Outer Race
8	1065	24	Wheel Nut
9	1064	24	Wheel Stud
10	1093	8	Grease Zerk
11	1032	4	Hub w/Races
11	1036	2	Brake Hub w/Races
12	1031	4	Inner Race
13	1030	4	Inner Bearing
14	1029	4	Grease Seal
15	1034	4	Hub Assembly
15	1035	2	Brake Hub Ass'y
16	1070	4	Stake Pocket

#	Part#	Qty.	Description
17	1025	2	Rear Spindle
18	1002	1	Rear Axle (Specify Round or Square Reach)
19	1071	8	3/8 x 5 Bolt & Nut
20	1004	1	E-Z Clamp
21	1039	1	Square Reach
	1003	1	Old Style Round Reach
22	1006	2	3/4 x 1-3/4 Bolt
23	1005	1	Spacer Plate
24	1001	1	Front Axle (Specify Round or Square Reach)
25	1019	1	Left Front Spindle
26	1018	1	Right Front Spindle
27	1022	4	Machinery Bushing
28	1023	2	Bent Spindle Cap
29	1091	2	3/8 x 1 Bolt
30	1079	1	Steering Spindle Ass'y, N.S.
31	1007	3	3/4-16 Flange Nut
32	1012	2	3/4-10 Lock Nut
33	1015	2	3/4 Flat Washer
34	1024	1	Upper Clamp Plate
35	1078	1	Decal Set

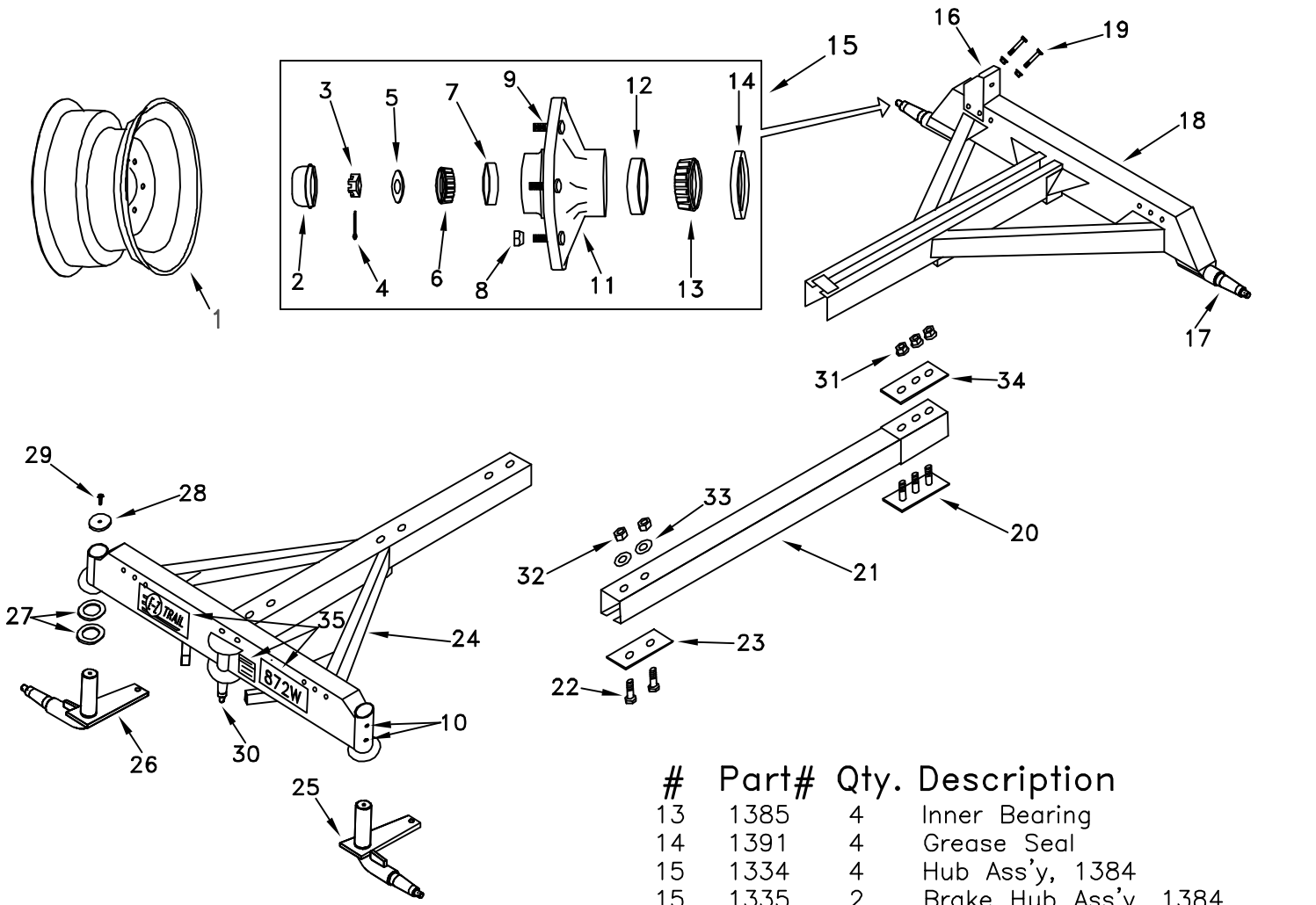
# E-Z Trail 1274 Gear



#	Part#	Qty.	Description
1	1096	6	Wheel, 15 x 10
2	1044	6	Hub Cap
3	1087	6	3/4-16 Slotted Nut
4	1045	6	Cotter Pin
5	1086	6	Spindle Washer
6	1085	6	Outer Bearing
7	1084	6	Outer Race
8	1065	36	Wheel Nut
9	1064	36	Wheel Stud
10	1093	12	Grease Zerk
11	1032	6	Hub w/Races
11	1036	2	Brake Hub w/Races
12	1031	6	Inner Race
13	1030	6	Inner Bearing
14	1029	6	Grease Seal
15	1034	6	Hub Ass'y
15	1035	2	Brake Hub Ass'y
16	1070	4	Stake Pocket
17	1025	4	Rear Spindle
18	1202	1	Rear Axle
19	1071	8	3/8 x 5 Bolt & Nut

#	Part#	Qty.	Description
20	1004	1	E-Z Clamp
21	1039	1	Square Reach
	1003	1	Old Style Round Reach
22	1006	2	3/4 x 1-3/4 Bolt
23	1005	1	Spacer Plate
24	1201	1	Front Axle
			(Specify round or square reach) New #1080 required if replacing an axle w/old style steering spindle
25	1019	1	Left Front Spindle
26	1018	1	Right Front Spindle
27	1022	4	Machinery Bushing
28	1023	2	Bent Spindle Cap
29	1091	2	3/8 x 1 Bolt
30	1079	1	Steering Spindle Ass'y
31	1007	3	3/4-16 Flange Nut
32	1012	2	3/4-10 Lock Nut
33	1015	2	3/4 Flat Washer
34	1024	1	Upper Clamp Plate
35	1278	1	Decal Set
36	1204	2	Tandem Wing w/Spindles
37	1209	2	Long Grease Zerk
38	1210	2	1/2 x 1-3/4 Set Screw
39	1205	2	Retainer Collar
40	616	2	3/8 x 4 Bolt & Lock Nut
41	1208	2	Pivot Shaft

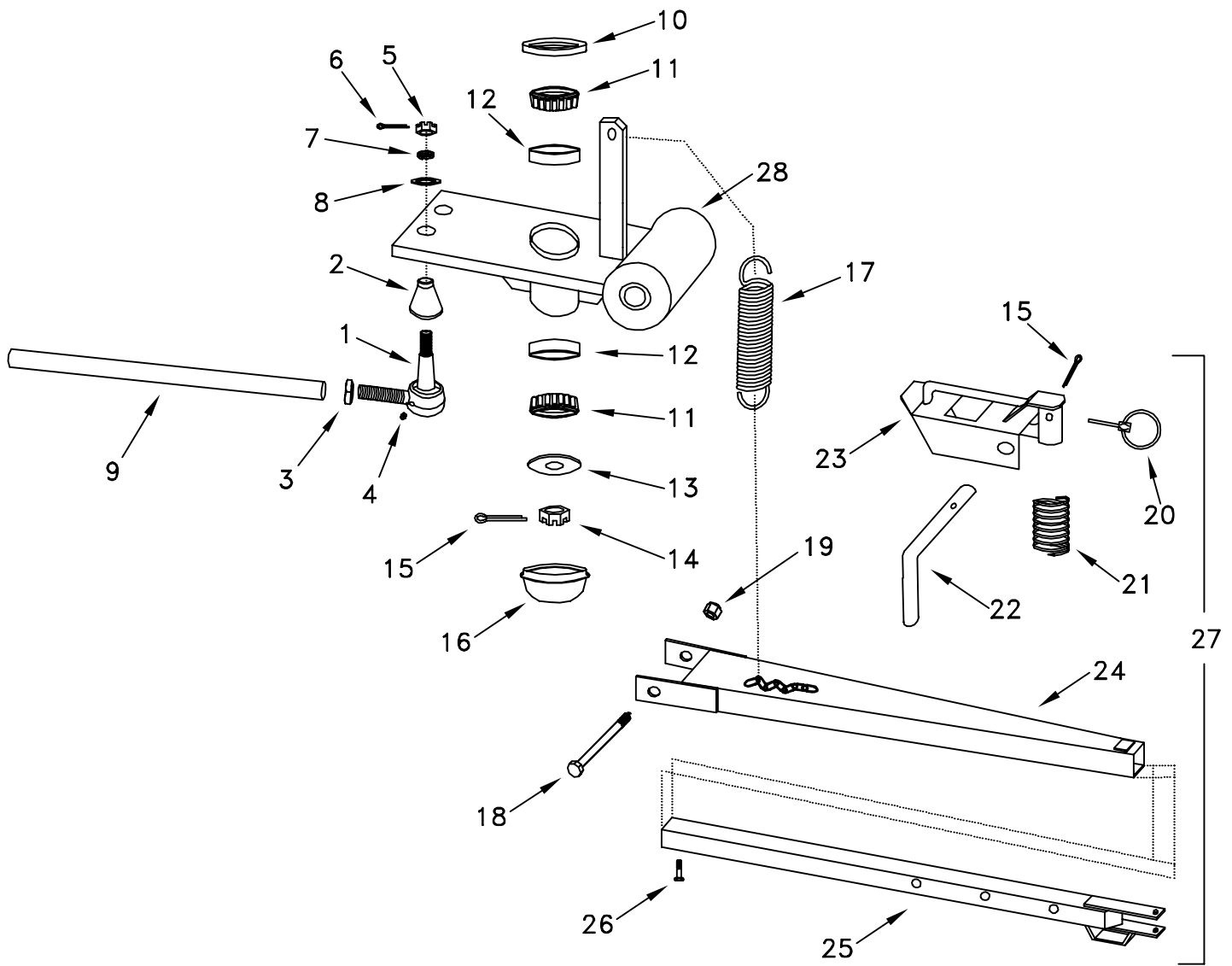
# E-Z Trail 1384 & 1384B Gears



#	Part#	Qty.	Description
1	1353	4	Wheel 16.1 x W11C
1	1354	4	Wheel 22.5 x 13.5 opt.
1	1355	4	Wheel 22.5 x 8.25 opt.
2	1044	4	Hub Cap, 1384
2	1098	4	Hub Cap, 1384B
3	1087	4	3/4-16 Slot. Nut, 1384
3	1551	4	1-14 Slot. Nut, 1384B
4	1045	4	Cotter Pin, 1384
4	1545	4	Cotter Pin, 1384B
5	1086	4	Spindle Washer, 1384
5	1550	4	Spindle Washer, 1384B
6	1085	4	Outer Bearing, 1384
6	1082	4	Outer Bearing, 1384B
7	1084	4	Outer Race, 1384
7	1083	4	Outer Race, 1384B
8	1065	32	Wheel Nut
9	1064	32	Wheel Stud
10	1093	8	Grease Zerk
11	1332	4	Hub w/Races, 1384
11	1336	2	Brk. Hub w/Races, 1384
11	1342	4	Hub w/Races, 1384B
11	1346	2	Brk. Hub w/Races, 1384B
12	1384	4	Inner Race

#	Part#	Qty.	Description
13	1385	4	Inner Bearing
14	1391	4	Grease Seal
15	1334	4	Hub Ass'y, 1384
15	1335	2	Brake Hub Ass'y, 1384
15	1344	4	Hub Ass'y, 1384B
15	1345	2	Brake Hub Ass'y, 1384B
16	1070	4	Stake Pocket
17	1325	2	Rear Spindle, 1384
17	1328	2	Rear Spindle, 1384B
18	1302	1	Rear Axle w/Spindles, 1384
18	1304	1	Rear Axle w/Spindles, 1384B
19	1071	4	3/8 x 5 Bolt & Nut
20	1004	1	E-Z Clamp Ass'y
21	1003Sq	1	Square Reach
22	1006	2	3/4 x 1-3/4 Bolt
23	1005	1	Spacer Plate
24	1301	1	Front Axle
25	1319	1	Left Front Spindle, 1384
25	1311	1	Left Front Spindle, 1384B
26	1318	1	Right Front Spindle, 1384
26	1310	1	Right Front Spindle, 1384B
27	1322	4	Machinery Bushing
28	1323	2	Bent Spindle Cap
29	1091	2	3/8 x 1 Bolt
30	1079	1	Steering Spindle Ass'y
31	1007	3	3/4-16 Flange Nut
32	1012	2	3/4-10 Lock Nut
33	1015	2	3/4 Flat Washer
34	1024	1	Upper Clamp Plate
35	1378	1	Decal Set

# E-Z Trail Steering Ass'y for 13 Ton Gears

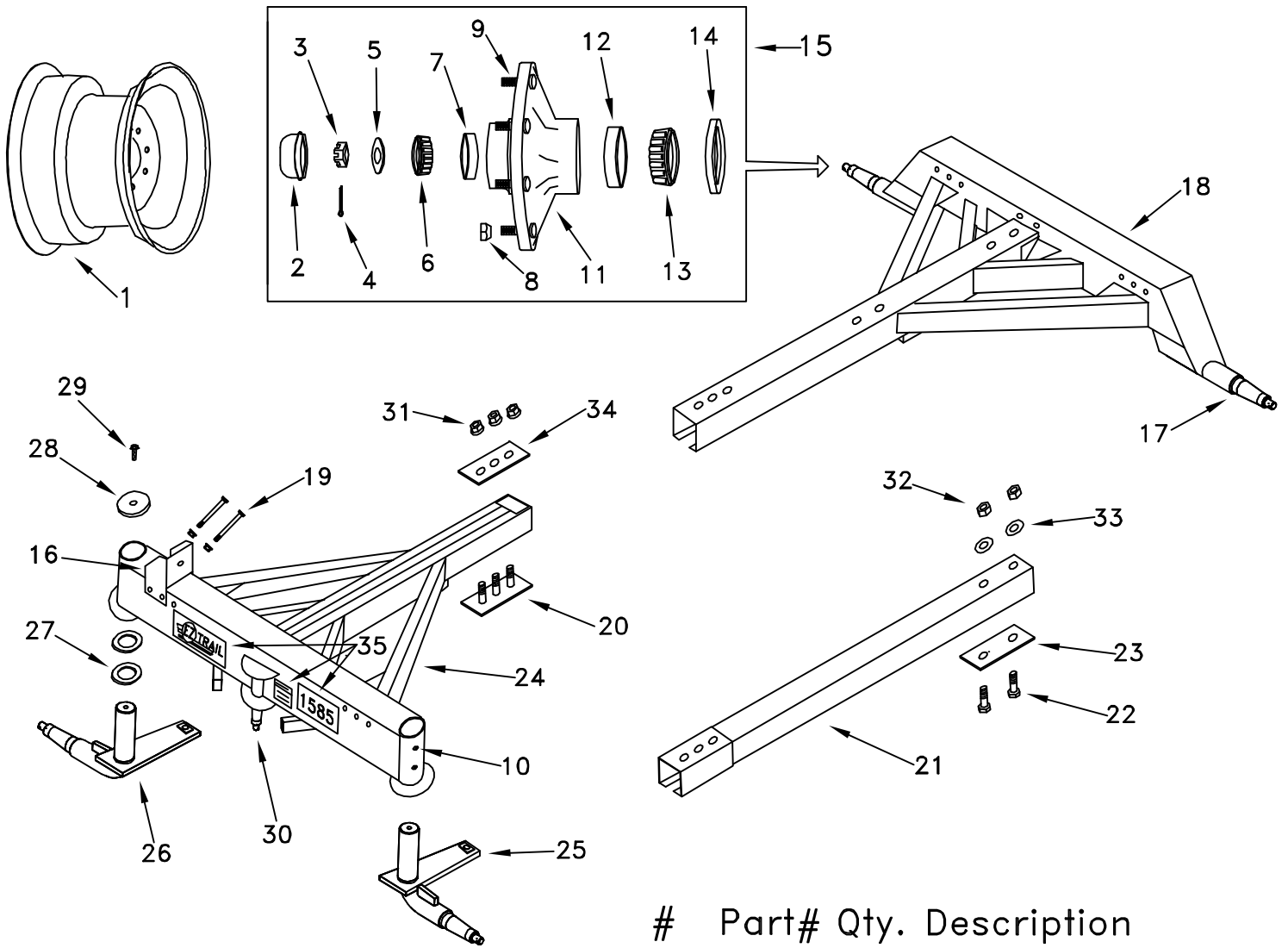


#	Part#	Qty.	Description
1	1592	4	Tie Rod End Ass'y (Inc'd 2-6)
2	1543	4	Rubber Cover
3	1588	4	1-16 Jam Nut
4	1093	6	Grease Zerk
5	641	4	5/8-18 Slotted Nut
6	1046	4	Cotter Pin
7	1048	2	5/8" Lock Washer
8	640	4	5/8" Flat Washer
9	1327	2	Tie Rod
10	1081	1	Seal
11	1082	2	Steering Frame Bearing
12	1083	2	Steering Frame Race
13	1089	1	Washer
14	1087	1	3/4-16 Slotted Nut

#	Part#	Qty.	Description
15	1045	2	Cotter Pin
16	1098	1	Steering Frame Cap
17	1013	1	Spring
18	1014	1	Tongue Bolt
19	1020	1	7/8-9 Lock Nut
20	1017	1	Lock Pin
21	1010	1	Spring
22	1011	1	Latch Pin
23	1016	1	Latch
24	1061	1	Tongue Outer
25	1062	1	Tongue Inner
26	1562	1	3/4-10 x 1 Bolt
27	1063	1	E-Z Hitch Ass'y
28	1380	1	Steering Frame w/Races



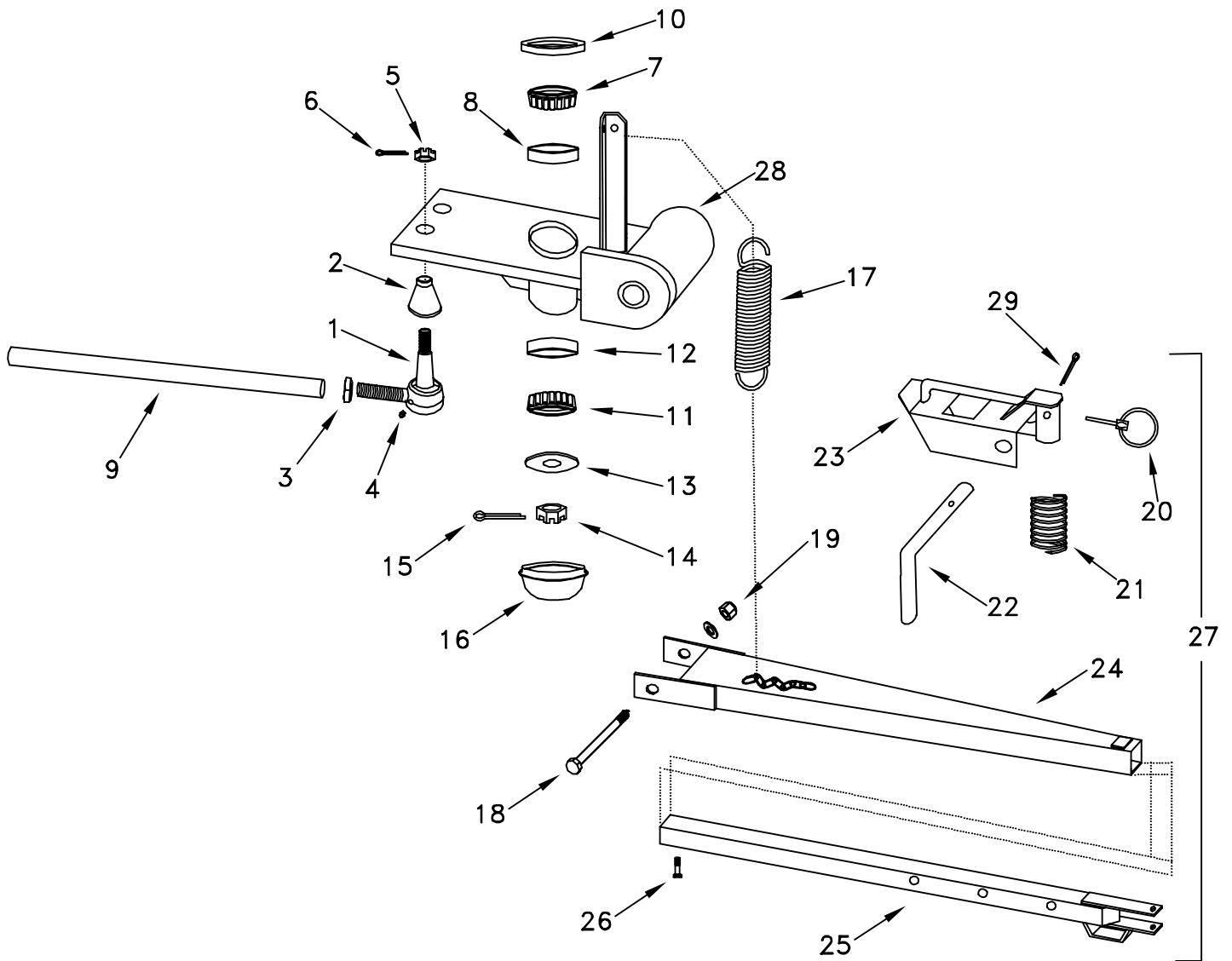
# E-Z Trail 1585 Gear



#	Part#	Qty.	Description
1	1595	4	16.1x14-8 Wheel
1	1354	4	Opt. 22.5x13.5-8 Wheel
2	1552	4	Hub Cap
3	1551	4	1-14 Slotted Nut
4	1545	4	Cotter Pin
5	1550	4	Spindle Washer
6	1030	4	Outer Bearing
7	1031	4	Outer Race
8	1565	32	Wheel Nut
9	1564	32	Wheel Stud
10	1093	8	Grease Zerk
11	1532	4	Hub w/Races
11	1533	2	Brake Hub w/Races
12	1585	4	Inner Race
13	1584	4	Inner Bearing
14	1529	4	Grease Seal
15	1534	4	Hub Ass'y
15	1535	2	Brake Hub Ass'y

#	Part#	Qty.	Description
16	1569	4	Stake Pocket
17	1525	2	Rear Spindle
18	1506	1	Rear Axle w/Spindles
19	1572	8	3/8 x 7 Stake Bolt & Nut
20	1504	1	Reach Clamp
21	1539	1	Opt: Square Center Reach
22	1006	2	3/4 x 1-3/4 Bolt
23	1005	1	Spacer Plate
24	1505	1	Front Axle
25	1531	1	Left Front Spindle
26	1530	1	Right Front Spindle
27	1522	4	Machinery Bushing
28	1523	2	Bent Spindle Cap
29	1520	2	Spindle Cap Screw
30	1579	1	Steering Spindle Ass'y
31	1007	3	3/4-16 Flange Nut
32	1012	2	3/4-10 Lock Nut
33	1015	2	3/4 Flat Washer
34	1524	1	Reach Clamp Plate
35	1577	1	Decal Set

# E-Z Trail Steering Ass'y for 15 Ton Gears



#	Part#	Qty.	Description
1	1592	4	Tie Rod End Ass'y (Inc'd 2-6)
2	1543	4	Rubber Cover
3	1588	4	1-16 Jam Nut
4	1094	4	Grease Zerk
5	641	4	5/8-18 Slotted Nut
6	1046	4	Cotter Pin
7	1385	1	Top Steer. Frame Bearing
8	1384	1	Top Steer Frame Race
9	1527	2	Tie Rod
10	1578	1	Steering Frame Seal
11	1030	1	Bottom Steer. Frame Bearing
12	1031	1	Bottom Steering Frame Race
13	1550	1	Washer
14	1551	1	3/4-16 Slotted Nut
15	1545	1	Cotter Pin
16	1552	1	Steering Frame Cap
17	1013	1	Spring
18	1514	1	Tongue Bolt
19	1596	1	1-8 Lock Nut
20	1017	1	Lock Pin
21	1010	1	Spring
22	1511	1	Latch Pin
23	1516	1	Latch
24	1560	1	Tongue Outer
25	1561	1	Tongue Inner
26	1562	1	3/4-10 x 1 Bolt
27	1567	1	E-Z Hitch Ass'y
28	1580	1	Steering Frame w/Races
29	1045	1	Cotter Pin