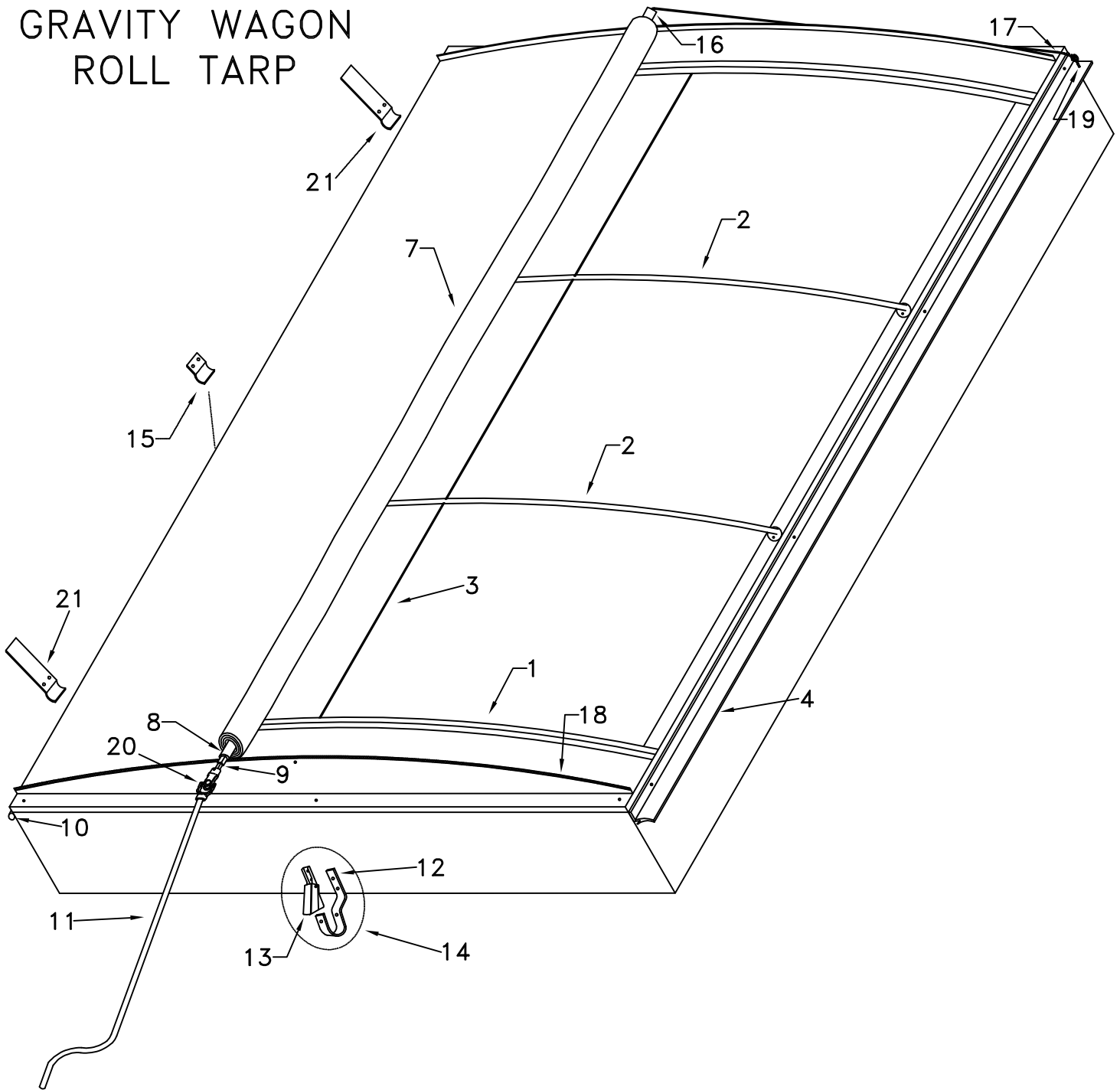


# GRAVITY WAGON ROLL TARP

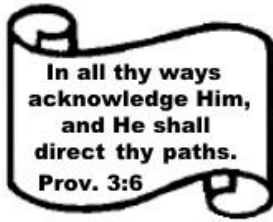


For Model #: **230**    **3400**    **500**

For Model #: **ALL**

| #  | Description       | Part # |      |      |
|----|-------------------|--------|------|------|
| 1  | Arched End Cap    | 4870   | 4870 | 4870 |
| 2  | Roll Tarp Bow     | 4874   | 4874 | 4874 |
| 3  | Center Rod        | 4882   | 4883 | 4885 |
| 4  | Latch Plate       | 4812   | 4813 | 4815 |
| 7  | Replacement Tarp  | 4892   | 4893 | 4895 |
| 8  | Roll Tube         | 4832   | 4833 | 4835 |
| 9  | Square Drive Tube | 4839   | 4839 | 4839 |
| 10 | Fastening Pipe    | 4862   | 4863 | 4863 |
| 11 | Crank             | 4842   | 4845 | 4845 |

|    |                         |       |
|----|-------------------------|-------|
| 12 | Crank Retainer          | 50849 |
| 13 | Crank Retainer Latch    | 4920  |
| 14 | Crank Retainer Assembly | 4925  |
| 15 | Tarp Clamp              | 4851  |
| 16 | Roll Plug               | 4858  |
| 17 | Bunge Cord              | 4859  |
| 18 | Edge Trim               | 4860  |
| 19 | Eye Bolt                | 4868  |
| 20 | U-Joint                 | 4840  |
| 21 | Tarp Stop               | 50850 |



PHONE 217/543-3471 • P.O. BOX 168 • ARTHUR, IL 61911

800-677-2802

[www.e-ztrail.com](http://www.e-ztrail.com)

## Installation Instructions for Gravity Wagon Roll Tarps

- Install stainless steel end caps to front and rear ends of wagon using (3) 3/8 x 3/4 flange bolt and nuts on each end cap.
- Install 3 cross bows to wagon with a 3/8 x 3/4 truss head bolt at the end of each bow. Space bows evenly over the length of the wagon.
- Drill a 5/16" hole in the center of each end cap, just below the inward projecting flange. Insert the center rod thru the holes in the end caps, and thru the hole in the middle of each bow. Fasten with a flange nut on both sides of each end cap.
- Install the aluminum latch plate to the right side of the wagon approximately 1" below the top edge of the wagon. Drill 3/8" holes thru the latch plate and the wagon and fasten with (5) 3/8 x 3/4" flange bolts and nuts.
- Fasten the tarp to the left side of the wagon using 2 tarp stops approximately 1' from each end, and 1 tarp clamp in the center. Position the tarp stops so that the horizontal surface is level with the top edge of the wagon. Drill (2) 9/32 holes thru the tarp and the side of the wagon to bolt on each of the tarp stops and tarp clamp with 2-5/16" self-tapping flange bolts.
- Bolt the crank to the roll tube with a 1/4" bolt and locknut. Drill a 3/8" hole in the center of the rear of the gravity box. Use (1) 3/8 x 1 bolt with flat washers & a locknut, through the lower hole of the crank holder assembly.
- Drill a 1/4" hole in the front end of the latch plate for the 1/4" eyebolt. Tie the end of the bungee cord that comes out of the front of the roll tube to the eyebolt.