

OPERATORS MANUAL
&
PARTS BOOK

E-Z Trail 550

GRAIN CART



1050 E. Columbia
P.O. BOX 168
Arthur, IL 61911

Toll Free: 800-677-2802
Phone: 217-543-3471
www.e-ztrail.com

Read and understand the manual. This manual provides information and procedures to safely operate and maintain the Grain Cart.



WARNING

- Do not attempt to clean, adjust, lubricate, or enter the grain cart while any part is in operation.
- Do not start the machine without all guards and shields in place, and in good working condition.
- Do not operate on public roads unless equipped with proper lighting or warning devices. It is the responsibility of the user and owner to install lighting or other equipment as required by state and federal laws.
- Do not allow children to play on or around the grain cart.

OPERATION

- The indicator flag in front of the auger shows the position of the inner door.
- When engaging the PTO, the door should be closed and the tractor should be running at low RPM's to prolong the life of the drive-line and gearbox.
- With the auger running, open the door and begin unloading grain. Do not exceed 750 PTO RPM for maximum efficiency and auger life.
- When the cart is nearly empty, the door can be partially closed to provide better clean out.
- The top auger must remain locked in the unloading position while the PTO is engaged. Folding the top auger while the auger is turning can cause damage to the augers.
- Check wheel nuts for the proper torque before first use, after the first load, and then periodically afterwards. (350ft/lbs)

MAINTENANCE

Grease Regularly:

- ▶ PTO Shaft
- ▶ U-Joint Gearbox
- ▶ Bearing at TOP of the Lower Auger
- ▶ Bearing at the TOP of the Top Auger
- ▶ Auger Hinge

Recommended Tire Inflation:

PSI
23.1-26, 12 Ply.....40

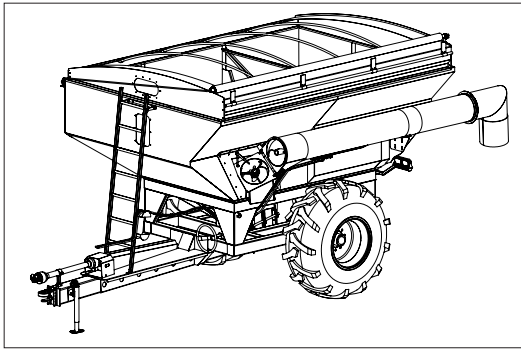
Before first use, then annually:

- ▶ Check gearbox oil level, use 90W oil.
- ▶ Check wheel bearings for sufficient grease & proper adjustment.

If you have further questions, please contact us at 217-543-3471.

Parts may be ordered online at www.e-ztrail.com, where you can also download additional manuals.

Introduction



550 Grain Cart

Engineered Design

E-Z Trail Grain Carts have been designed and engineered to transport and reload grain & seeds and have been manufactured according to USA & North American Standards

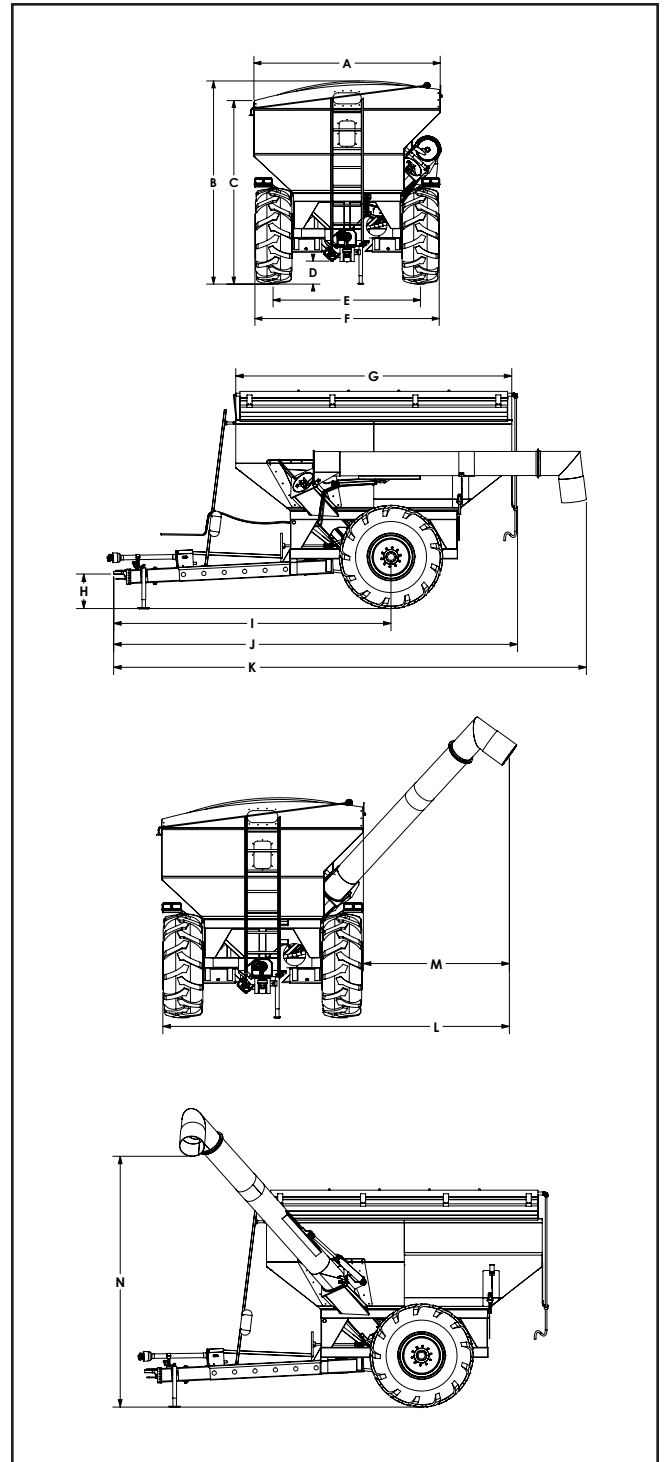
Intended Usage

Do not use the Grain Cart for any other purpose than its intended use of transporting and unloading grain and seeds.

Dimensions and Specifications

DIMENSIONS		550
A	Bin Width	118in
B	Transport Height	129in
C	Loading Height	116in
D	Ground Clearance	14in
E	Track	94in to 120in
F	Transport Width	117in
G	Bin Length	162in
H	Tongue Height	21in
I	Hitch to Axle Length	163in
J	Length	237in
K	Transport Length	278in
L	Unloading Width	203in
M	Discharge Reach	86in
N	Discharge Height	148in

*SPECIFICATIONS	550
Auger Diameter	14"
Capacity	550 Bu
Unload Time	6T/Minute
Standard Tires	23.1-26
Unloaded Weight	6,800 lbs
Loaded Weight	41,998lbs
Tongue Weight (Loaded)	2866lbs

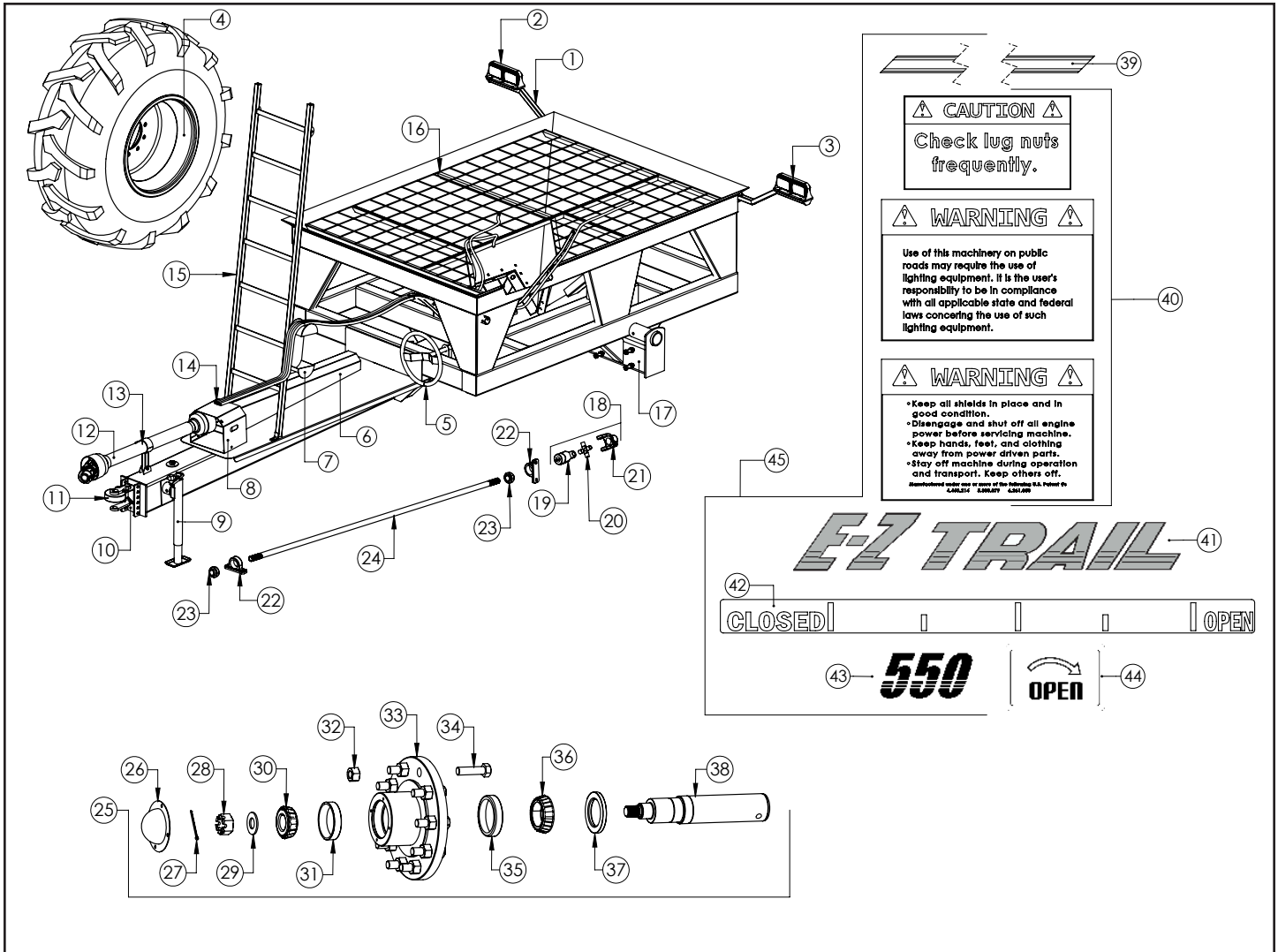


Product Improvements

Because E-Z Trail Inc. maintains an ongoing program of product improvement, we reserve the right to make improvements in design or changes in specifications without incurring any obligation to install them on units previously sold.

* Specifications subject to change without notice.

550 Hub, Driveshaft, & Decals

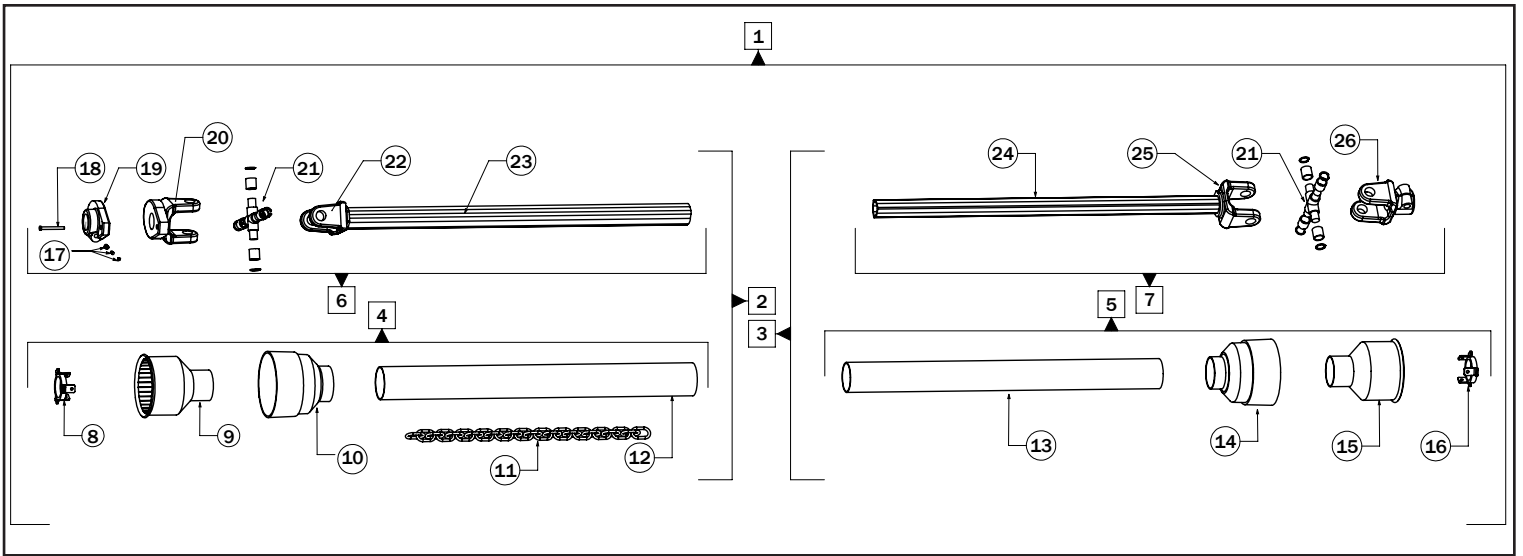


Item	Part No.	Description	Qty.
1	56129	Light Arm	2
2	56290	Warning Lamp, Right	1
3	56291	Warning Lamp, Left	1
4	50420	Wheel, 26 x 20	2
5	55801	Hand Wheel	1
6	55013	Safety Shroud	1
7	51602	Hose Holder	1
8	55012	PTO Bearing Box	1
9	50576	Jack	1
10	50711	Hitch Bracket	1
11	50710	Cast Hitch	1
12	55615	PTO Shaft Assembly	1
13	55909	PTO Holder	1
14	55403	180" Hydraulic Hose	2
15	55803	Ladder	1

Item	Part No.	Description	Qty.
16	55804	Safety Grate	1
17	55805	Axle	2
18	55912	U-Joint Assembly	1
19	55291	Front Yoke	1
20	50384	U-Joint Cross	1
21	51289	Rear Yoke	1
22	55476	1 3/8" Pillow Block	2
23	55477	1 1/2" Bearing	2
24	55102	Drive Shaft (102")	1
25	50548	Hub Assembly	2
26	50455	Hub Cap	2
27	50458	Cotter Pin	2
28	50452	Castle Nut	2
29	50451	Washer	2
30	50460	Outer Bearing	2

Item	Part No.	Description	Qty.
31	50453	Outer Race	2
32	50655	Wheel Nut	20
33	50549	550 Hub	2
34	50542	Wheel Stud	20
35	50540	Inner Race	2
36	50545	Inner Bearing	2
37	50541	Grease Seal	2
38	55511	Spindle, Bolt-In	2
39	51255	Stripe Decal	1
40	50252	Warning Decal Set	1
41	51246	E-Z Trail Decal	1
42	51251	Open-Close Decal	1
43	55247	Model Number Decal	1
44	51248	Handwheel Open Decal	1
45	55911	Decal Kit	1

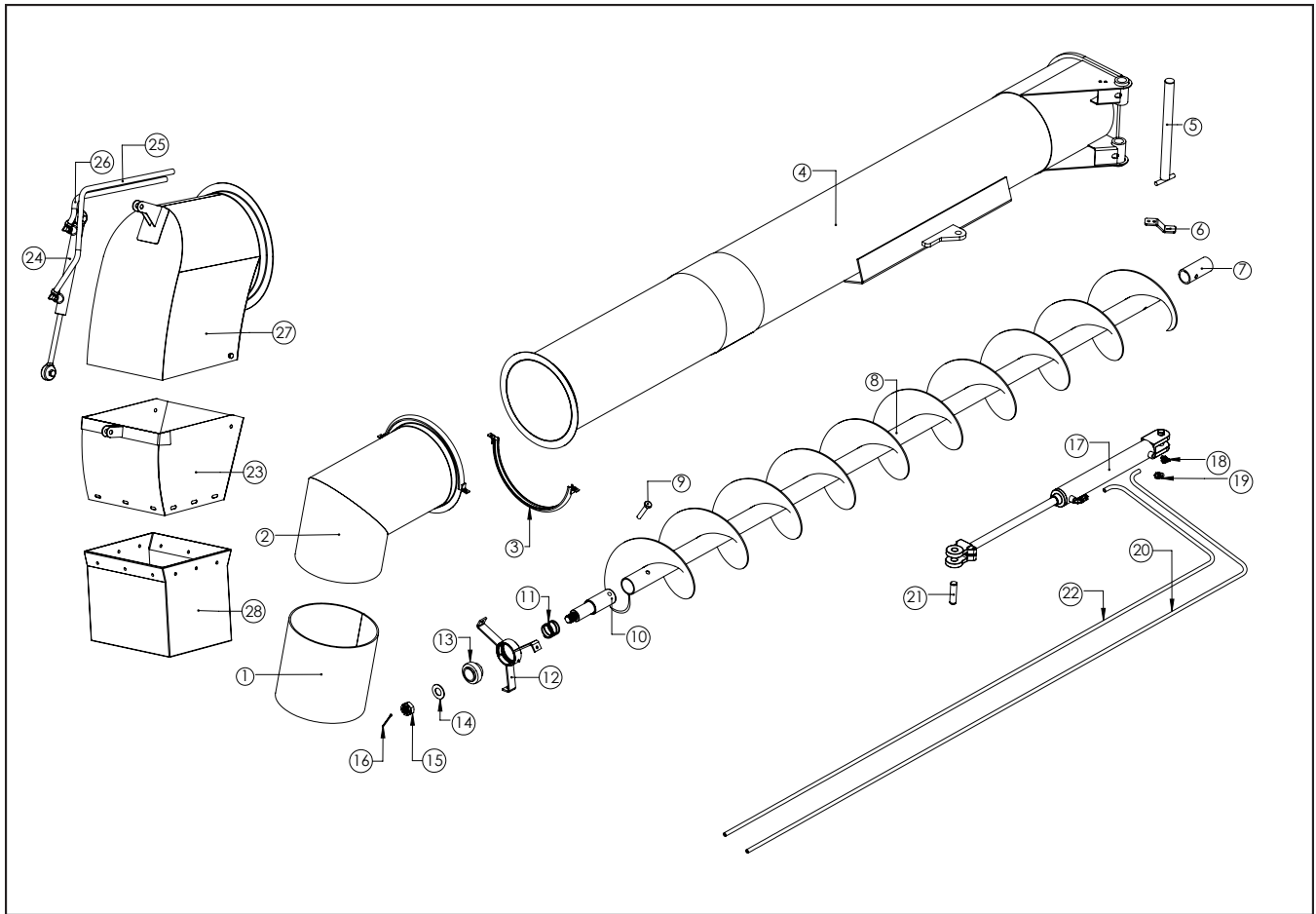
550 PTO Assembly



Item	Part No.	Description	Qty.
1	55615	PTO Assembly (40 Series)	1
2	50616	Front ½ PTO	1
3	55617	Rear ½ PTO	1
4	50618	Front Shield Assy.	1
5	50619	Rear Shield Assy.	1
6	50265	Front Shaft Assy.	1
7	55266	Rear Shaft Assy.	1
8	50267	Front Shield Retaining Collar	1
9	50268	Front Shield Inner Bell	1
10	50269	Front Shield Outer Bell	1
11	50272	Safety Chains	2
12	50271	Front Shield Tube	1
13	50273	Rear Shield Tube	1

Item	Part No.	Description	Qty.
14	50274	Rear Shield Outer Bell	1
15	50275	Rear Shield Inner Bell	1
16	50276	Rear Shield Retaining Collar	1
17	50278	Push Pin Set	2
18	50280	Shear Bolt w/ Lock Nut	1
19	50279	Front Spline w/ Pins	1
20	50283	Tractor Yoke	1
21	50284	Cross Kit	2
22	50285	Front Yoke	1
23	50287	Front Shaft	1
24	50288	Rear Shaft	1
25	50289	Rear Yoke	1
26	55291	Machine Yoke (1 ⅜ 21 Spline)	1

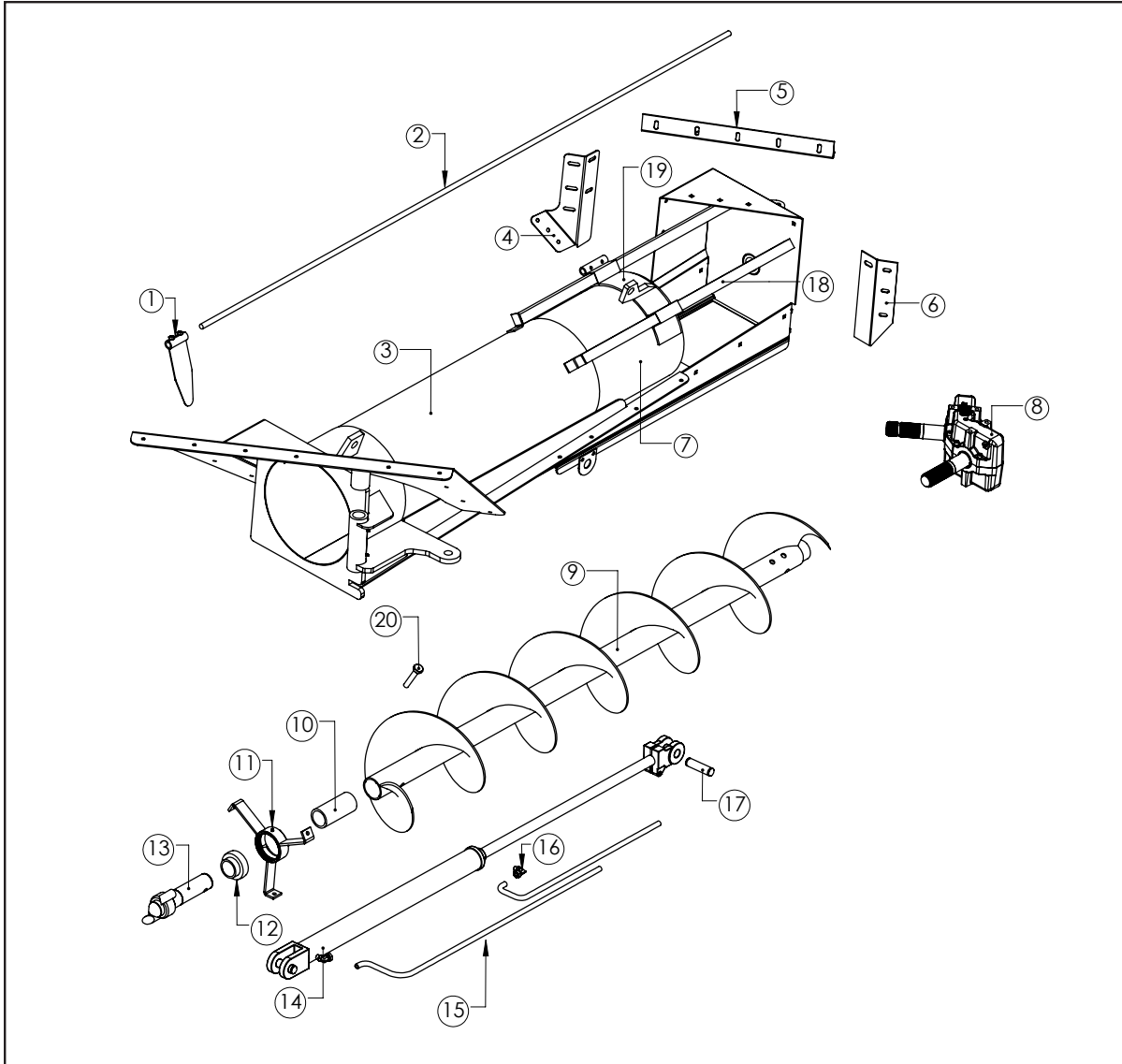
550 Top Auger Assembly



Item	Part No.	Description	Qty.
1	55815	Auger Spout Rubber	1
2	55028	Discharge Head	1
2	55179	550X Discharge Head	
3	50180	Flange Clamp	1
4	55809	Top Auger Tube	1
4	55812	550X Top Auger Tube	1
5	55810	Hinge Pin	1
6	55404	Hinge Pin Stop	1
7	50466	Sleeve	
8	55811	Top Auger (127 ⁷ / ₈ ")	1
8	55813	550X Top Auger (151 ⁷ / ₈ ")	1
9	50381	⁵ / ₈ " x 3 ¹ / ₂ " Bolt w/ Locknut	1
10	50141	Top Stub Shaft	1
11	50135	Top Auger Spring	1
12	50128	Bearing Hanger	1
13	50629	2" Bearing	1

Item	Part No.	Description	Qty.
14	50451	Top Auger Idler Washer	1
15	50452	Castle Nut (1 ¹ / ₄ " x 12)	1
16	50458	Cotter Pin (³ / ₁₆ " x 13")	1
17	51621	Hydraulic Cylinder (3" x 20")	1
18	50410	Hydraulic 90° Fitting	2
19	51419	Restrictor Fitting	1
20	55405	20' (240") Hydraulic Hose	1
21	51412	1" Cylinder Pin	2
22	55404	18' (216") Hydraulic Hose	1
23	55182	Adjustable Spout Lower	1
24	51183	Hydraulic Cylinder (1" x 8")	1
25	55184	Hydraulic Hose 30'	1
26	55185	Hydraulic Hose 29'	1
27	50837	Adjustable Discharge Head	1
28	55646	Adjustable Spout Rubber	1

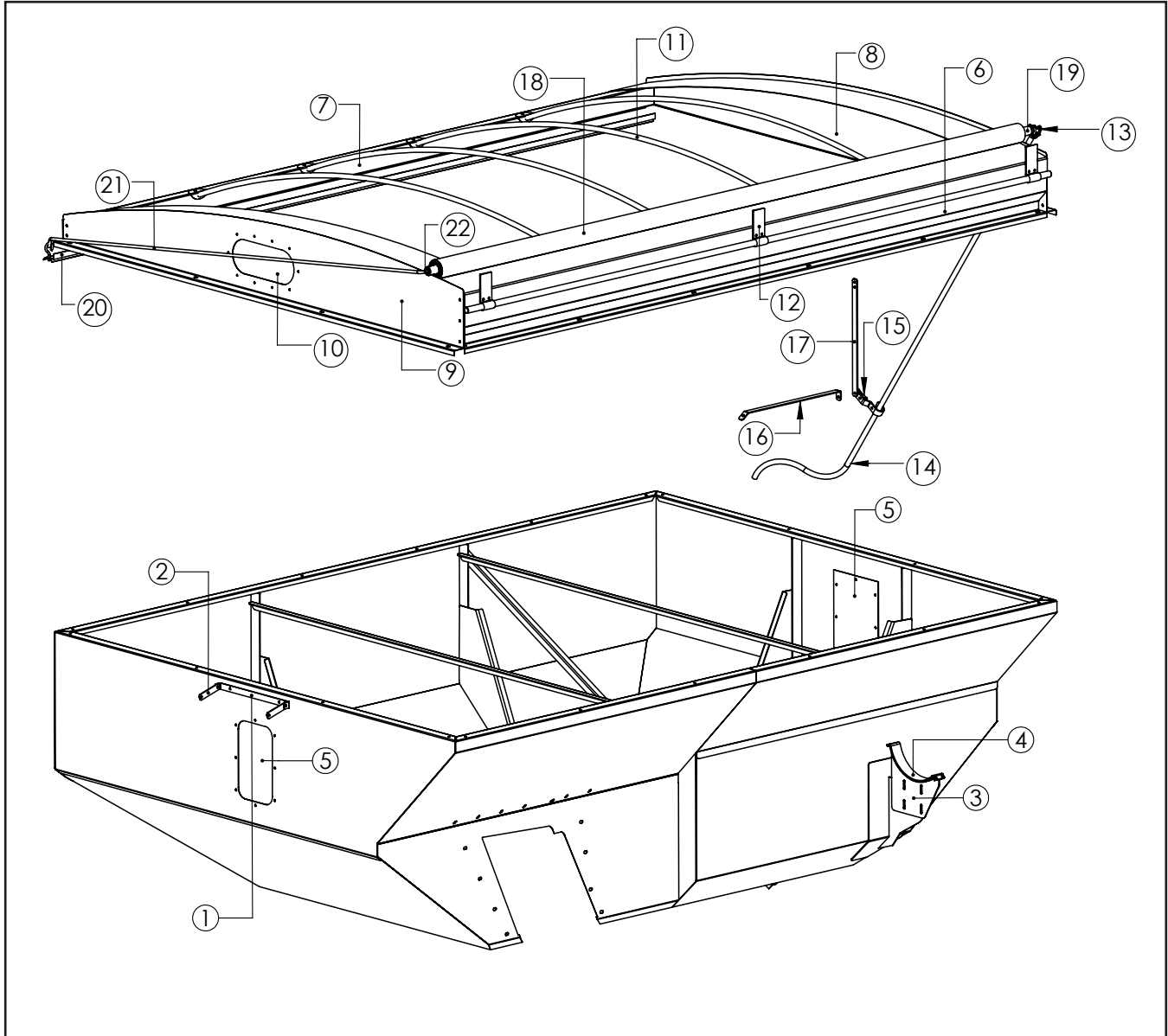
550 Bottom Auger Assembly



Item	Part No.	Description	Qty.
1	51132	Indicator Flag	1
2	55808	Indicator Rod	1
3	55806	Bottom Auger Tube	1
4	55113	Front Auger Mounting Rail	1
5	55114	Top Auger Mounting Rail	1
6	55115	Rear Auger Mount Rail	1
7	55807	Inside Door	1
8	51223	Gearbox	1
9	55813	Bottom Auger (76 3/4")	1
10	50469	Sleeve	1

Item	Part No.	Description	Qty.
11	50128	Bearing Hanger	1
12	50629	2" Bearing	1
13	50630	Pointed Shaft	1
14	51630	Hydraulic Cylinder (2 1/2" x 30")	1
15	55401	35" Hydraulic Hose	2
16	50410	Hydraulic 90° Fitting	2
17	51412	1" Cylinder Pin	2
18	50835	Slide Rails	2
19	50836	Cylinder Anchor	1
20	50381	5/8" x 3 1/2" Bolt w/ Locknut	1

550 Extension & Tarp Assemblies



Item	Part No.	Description	Qty.
1	56176	Ladder Top Bracket	1
2	56177	Ladder Top Link	2
3	55308	Auger Support	1
4	55463	Rubber Pad	1
5	55833	Window (15" x 20")	2
6	55021	LH Extension	1
7	55020	RH Extension	1
8	55025	Rear Extension	1
9	55022	Front Extension	1
10	51257	Window (12" x 24")	1
11	55818	Tarp Bow	4

Item	Part No.	Description	Qty.
12	50850	Tarp Stop	3
13	4840	U-Joint	1
14	55914	Tarp Handle	1
15	50849	Tarp Handle Holder Cradle Retainer	1
16	55821	Tarp Handle Flat Bar Bracket	1
17	55820	Tarp Handle Holder Flat Bar	1
18	55850	Replacement Tarp	1
19	55831	Roll Tube	1
20	55007	Latch Plate	1
21	4859	Bungie Cord	1
22	4858	Roll Plug	1